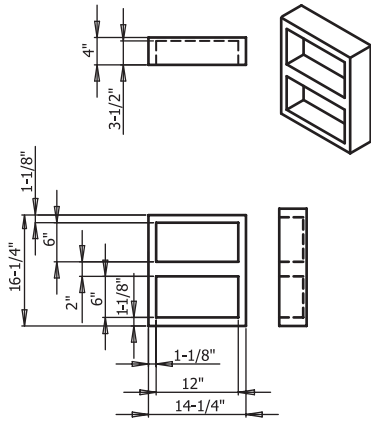
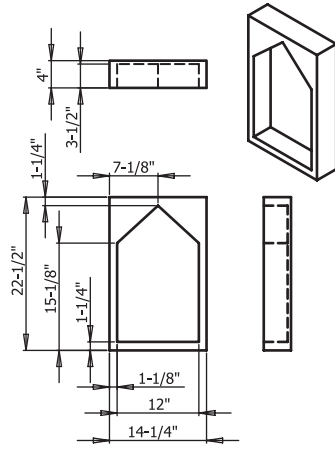


# bronte™ Niche Installation Instructions

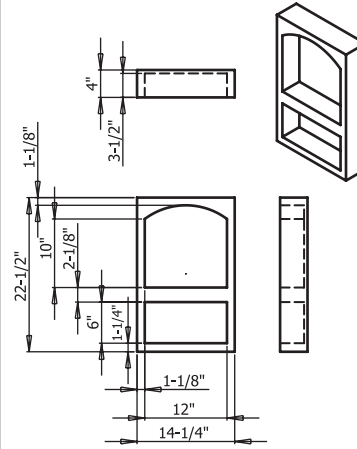
#N278 Spice Rack Niche



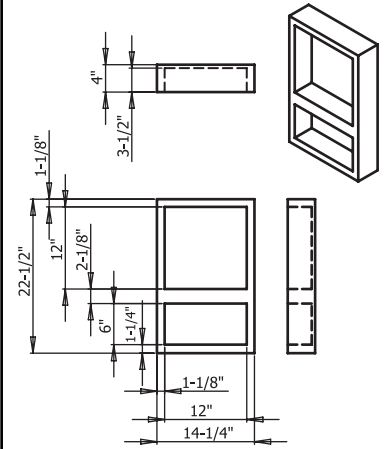
#N2861 Peaked Niche



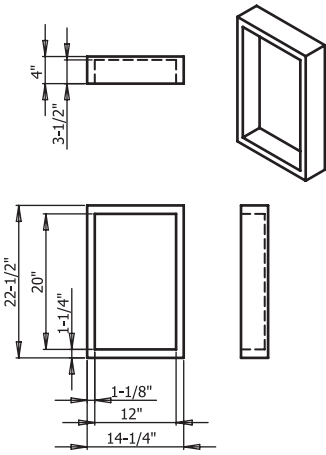
#N2871 Wide Arch Combo Niche



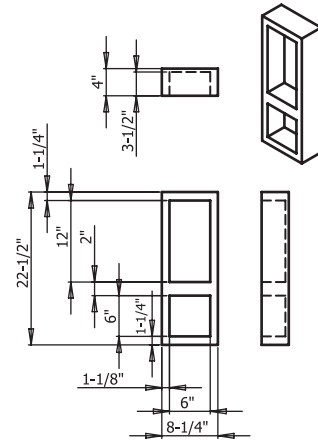
#N2881 Wide Combo Niche



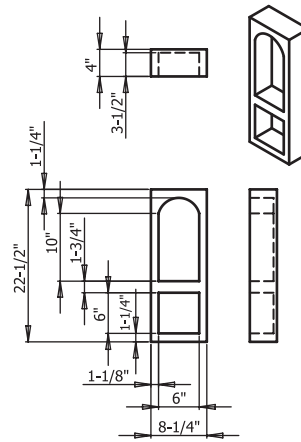
#N2941 Rectangular Niche



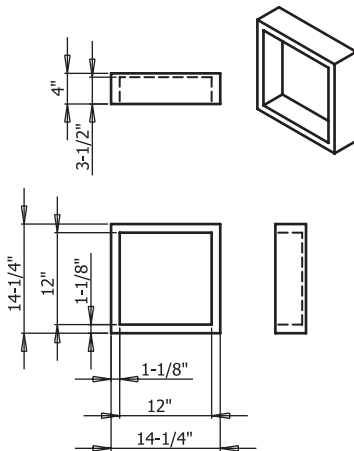
#N2901 Narrow Combo Niche



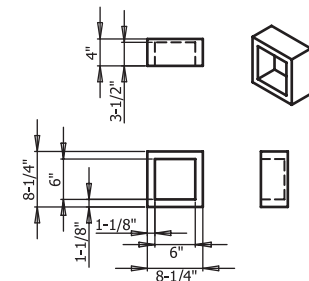
#N2891 Narrow Arch Combo



#N2841 Square Niche



#N2921 Soap Niche



NOTE: Actual dimensions may vary +/- 1/8".

## bronte™ Niche Installation Instructions

### 1.0 Product & Materials

1.1 bronte™ Niches: are made from high density, extruded polystyrene (XPS) and coated with an acrylic polymer finish. bronte™ Niches are waterproof and ready-to-tile. They are lightweight, durable and are not a food source for fungus and mold.

1.2 Other Tools & Materials Needed: Saw (for cutting backer board), backer board tape, and 100% silicone sealant.

### 2.0 Installing into 2" x 4" stud wall

- 2.1 Determine desired height of Niche.
- 2.2 Draw level line between studs at this location.
- 2.3 Place Niche on level line.
- 2.4 Trace outside edge of Niche.
- 2.5 Cut and remove panel.
- 2.6 Use a 100% silicone sealant to adhere Niche to back wall and/or studs.
- 2.7 Seal joints between Niche and backer board using 100% silicone sealant. Silicone should not be smeared over the face of the Niche or backer board.
- 2.8 Tape joints with backer board tape or thin-set NobleSeal® TS to walls overlapping joints.
- 2.9 Install tile using latex modified thin-set.

NOTES: For any situation not specifically covered, contact our Technical Department before proceeding. Follow TCNA Guidelines.

